

TRAFFIC CRASH REPORT

*DENOTES MANDATORY FIELD FOR SUPPLEMENT REPORT

LOCAL REPORT NUMBER *

21-6507

<input checked="" type="checkbox"/> PHOTOS TAKEN	<input type="checkbox"/> OH-2	<input checked="" type="checkbox"/> OH-3	LOCAL INFORMATION POE & S.R. 3
<input type="checkbox"/> SECONDARY CRASH	<input type="checkbox"/> OH-1P	<input checked="" type="checkbox"/> OTHER	REPORTING AGENCY NAME * Montville Police Department
<input type="checkbox"/> PRIVATE PROPERTY	NCIC * 05213		HIT/SKIP 1 - SOLVED 2 - UNSOLVED
NUMBER OF UNITS 2		UNIT IN ERROR 1 98 - ANIMAL 99 - UNKNOWN	

COUNTY* 52	LOCALITY* 3	LOCATION: CITY, VILLAGE, TOWNSHIP* Montville (Township of)	CRASH DATE / TIME* 02/01/2021 13:58	CRASH SEVERITY 5
---------------	----------------	---	--	---------------------

ROUTE TYPE SR	ROUTE NUMBER 3	PREFIX 1 - NORTH 2 - SOUTH 3 - EAST 4 - WEST	LOCATION ROAD NAME Poe	ROAD TYPE RD	LATITUDE DECIMAL DEGREES 41.091805
------------------	-------------------	---	---------------------------	-----------------	---------------------------------------

REFERENCE ROAD NAME (ROAD, MILEPOST, HOUSE #)	ROAD TYPE	LONGITUDE DECIMAL DEGREES -81.864054	CRASH SEVERITY 1 - FATAL 2 - SERIOUS INJURY SUSPECTED 3 - MINOR INJURY SUSPECTED 4 - INJURY POSSIBLE 5 - PROPERTY DAMAGE ONLY
---	-----------	---	--

REFERENCE POINT 1 - INTERSECTION 2 - MILE POST 3 - HOUSE #	DIRECTION FROM REFERENCE 1 - NORTH 2 - SOUTH 3 - EAST 4 - WEST	ROUTE TYPE IR - INTERSTATE ROUTE (TP) US - FEDERAL US ROUTE SR - STATE ROUTE CR - NUMBERED COUNTY ROUTE TR - NUMBERED TOWNSHIP ROUTE	ROAD TYPE AL - ALLEY AV - AVENUE BL - BOULEVARD CR - CIRCLE CT - COURT DR - DRIVE HE - HEIGHTS	ROAD TYPE HW - HIGHWAY LA - LANE MP - MILEPOST OV - OVAL PK - PARKWAY PI - PIKE PL - PLACE	RD - ROAD SQ - SQUARE ST - STREET TE - TERRACE TL - TRAIL WA - WAY	INTERSECTION RELATED <input checked="" type="checkbox"/> WITHIN INTERSECTION OR ON APPROACH <input type="checkbox"/> WITHIN INTERCHANGE AREA	NUMBER OF APPROACHES 3
---	--	---	---	---	---	--	---------------------------

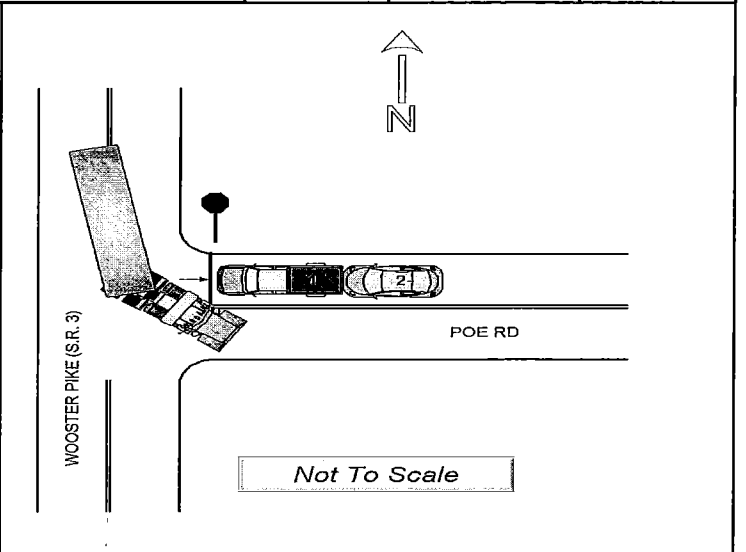
DISTANCE FROM REFERENCE 20.00	DISTANCE UNIT OF MEASURE 1 - MILES 2 - FEET 3 - YARDS	ROADWAY <input type="checkbox"/> ROADWAY DIVIDED
----------------------------------	--	---

LOCATION OF FIRST HARMFUL EVENT 1 - ON ROADWAY 2 - ON SHOULDER 3 - IN MEDIAN 4 - ON ROADSIDE 5 - ON GORE 6 - OUTSIDE TRAFFIC WAY 7 - ON RAMP 8 - OFF RAMP	9 - CROSSOVER 10 - DRIVEWAY/ALLEY ACCESS 11 - RAILWAY GRADE CROSSING 12 - SHARED USE PATHS OR TRAILS 13 - BIKE LANE 14 - TOLL BOOTH 99 - OTHER / UNKNOWN	MANNER OF CRASH COLLISION/IMPACT 5 1 - NOT COLLISION 2 - REAR-END 3 - HEAD-ON 4 - REAR-TO-REAR 5 - BACKING 6 - ANGLE 7 - SIDESWIPE, SAME DIRECTION 8 - SIDESWIPE, OPPOSITE DIRECTION 9 - OTHER / UNKNOWN	DIRECTION OF TRAVEL 1 - NORTH 2 - SOUTH 3 - EAST 4 - WEST	MEDIAN TYPE 1 - DIVIDED FLUSH MEDIAN (<4 FEET) 2 - DIVIDED FLUSH MEDIAN (>=4 FEET) 3 - DIVIDED, DEPRESSED MEDIAN (ANY TYPE) 4 - DIVIDED, RAISED MEDIAN (ANY TYPE) 9 - OTHER / UNKNOWN
---	--	--	---	--

<input type="checkbox"/> WORK ZONE RELATED <input type="checkbox"/> WORKERS PRESENT <input type="checkbox"/> LAW ENFORCEMENT PRESENT <input type="checkbox"/> ACTIVE SCHOOL ZONE	WORK ZONE TYPE 1 - LANE CLOSURE 2 - LANE SHIFT/ CROSSOVER 3 - WORK ON SHOULDER OR MEDIAN 4 - INTERMITTENT OR MOVING WORK 5 - OTHER	LOCATION OF CRASH IN WORK ZONE 1 - BEFORE THE 1ST WORK ZONE WARNING SIGN 2 - ADVANCE WARNING AREA 3 - TRANSITION AREA 4 - ACTIVITY AREA 5 - TERMINATION AREA	CONTOUR 1 1 - STRAIGHT LEVEL 2 - STRAIGHT GRADE 3 - CURVE LEVEL 4 - CURVE GRADE 9 - OTHER /UNKNOWN	CONDITIONS 2 1 - DRY 2 - WET 3 - SNOW 4 - ICE 5 - SAND, MUD, DIRT, OIL, GRAVEL 6 - WATER (STANDING, MOVING) 7 - SLUSH 9 - OTHER / UNKNOWN	SURFACE 2 1 - CONCRETE 2 - BLACKTOP, BITUMINOUS, ASPHALT 3 - BRICK/BLOCK 4 - SLAG, GRAVEL, STONE 5 - DIRT 9 - OTHER / UNKNOWN
---	---	---	--	--	--

LIGHT CONDITION 1 1 - DAYLIGHT 2 - DAWN/DUSK 3 - DARK - LIGHTED ROADWAY 4 - DARK - ROADWAY NOT LIGHTED 5 - DARK - UNKNOWN ROADWAY LIGHTING 9 - OTHER / UNKNOWN	WEATHER 2 1 - CLEAR 2 - CLOUDY 3 - FOG, SMOG, SMOKE 4 - RAIN 5 - SLEET, HAIL 6 - SNOW 7 - SEVERE CROSSWINDS 8 - BLOWING SAND, SOIL, DIRT, SNOW 9 - FREEZING RAIN OR FREEZING DRIZZLE 99 - OTHER / UNKNOWN
---	--

NARRATIVE
Unit # 2 was stopped behind Unit #1 at the stop sign of Poe Road and Wooster Pike. A semi and trailer began to turn onto Poe road and Unit #1 had to back up to avoid being hit. Unit #1 did not see Unit #2 stopped behind him, and struck Unit #2 causing functional damage. No injuries were reported and no vehicles required tow.



CRASH REPORTED DATE / TIME 02/01/2021 13:58	DISPATCH DATE / TIME 02/01/2021 13:58	ARRIVAL DATE / TIME 02/01/2021 14:05	SCENE CLEARED DATE / TIME 02/01/2021 14:45	REPORT TAKEN BY <input checked="" type="checkbox"/> POLICE AGENCY <input type="checkbox"/> MOTORIST
TOTAL TIME ! ROADWAY CLOSED	OTHER INVESTIGATION TIME	TOTAL MINUTES 47	OFFICER'S NAME* Bennett, Justin	CHECKED BY OFFICER'S NAME* Searle, Cory
			OFFICER'S BADGE NUMBER* 1612	CHECKED BY OFFICER'S BADGE NUMBER* 1605
				<input checked="" type="checkbox"/> SUPPLEMENT (CORRECTION OR ADDITION TO AN EXISTING REPORT SENT TO ODPS)

OWNER

UNIT # 1 OWNER NAME: LAST, FIRST, MIDDLE (☐ SAME AS DRIVER) MYERS, DANI
 OWNER ADDRESS: STREET, CITY, STATE, ZIP (☐ SAME AS DRIVER) 8171 WOOSTER PIKE, MEDINA, OH, 44256
 COMMERCIAL CARRIER: NAME, ADDRESS, CITY, STATE, ZIP
 OWNER PHONE: INCLUDE AREA CODE (☐ SAME AS DRIVER)

LP STATE OH LICENSE PLATE # PJJ5266 VEHICLE IDENTIFICATION # 3D73Y4CLXBG593017 VEHICLE YEAR 2011 VEHICLE MAKE DODGE

INSURANCE VERIFIED INSURANCE COMPANY HUMMEL GROUP INSURANCE POLICY # PACK3409126242 COLOR WHI VEHICLE MODEL RAM

TYPE OF USE: COMMERCIAL, GOVERNMENT, IN EMERGENCY RESPONSE
 US DOT #
 TOWED BY: COMPANY NAME
 HAZARDOUS MATERIAL CLASS #, PLACARD ID #
 VEHICLE WEIGHT GVWR/GCWR: 1 - ≤10K LBS., 2 - 10,001 - 26K LBS., 3 - > 26K LBS.

UNIT TYPE 4
 # OF TRAILING UNITS
 WAS VEHICLE OPERATING IN AUTONOMOUS MODE WHEN CRASH OCCURRED? 0
 AUTONOMOUS MODE LEVEL: 1 - YES, 2 - NO, 9 - OTHER / UNKNOWN

SPECIAL FUNCTION 1
 CARGO BODY TYPE 1
 VEHICLE DEFECTS

NON-MOTORIST LOCATION
 ACTION 3
 CONTRIBUTING CIRCUMSTANCES 12

SEQUENCE OF EVENTS
 EVENTS 1, 20
 COLLISION WITH FIXED OBJECT - STRUCK

EVENTS (G)
 1 20
 2
 3
 4
 5
 6
 1 FIRST HARMFUL EVENT 1 MOST HARMFUL EVENT

LOCAL REPORT NUMBER 21-6507
 DAMAGE
 DAMAGE SCALE: 1 - NONE, 2 - MINOR DAMAGE, 3 - FUNCTIONAL DAMAGE, 4 - DISABLING DAMAGE, 9 - UNKNOWN
 [3]

DAMAGED AREA(S) INDICATE ALL THAT APPLY

NO DAMAGE [0] UNDERCARRIAGE [14]
 TOP [13] ALL AREAS [15]
 UNIT NOT AT SCENE [16]

INITIAL POINT OF CONTACT
 0 - NO DAMAGE, 14 - UNDERCARRIAGE, 15 - VEHICLE NOT AT SCENE, 99 - UNKNOWN
 6 1-12 - REFER TO UNIT DIAGRAM, 13 - TOP

TRAFFICWAY FLOW 2
 TRAFFIC CONTROL 4

OF THROUGH LANES ON ROAD 2
 RAIL GRADE CROSSING 3

UNIT / NON-MOTORIST DIRECTION
 FROM 3 TO 4

UNIT SPEED 1
 POSTED SPEED 45
 DETECTED SPEED 1

OWNER

UNIT # 2 OWNER NAME: LAST, FIRST, MIDDLE (☐ SAME AS DRIVER)
ZIMMERMAN, MONTAGUE, ADAM

OWNER ADDRESS: STREET, CITY, STATE, ZIP (☐ SAME AS DRIVER)
5332 MAPLEWOOD FARM DRIVE, MEDINA, OH, 44256

COMMERCIAL CARRIER: NAME, ADDRESS, CITY, STATE, ZIP

OWNER PHONE: INCLUDE AREA CODE (☐ SAME AS DRIVER)

COMMERCIAL CARRIER PHONE: INCLUDE AREA CODE

VEHICLE

LP STATE OH LICENSE PLATE # HOH3824 VEHICLE IDENTIFICATION # 4536GHTG5J375354 VEHICLE YEAR 2018 VEHICLE MAKE SUBARU

INSURANCE VERIFIED INSURANCE COMPANY CENTRAL MUTUAL INS. CO. INSURANCE POLICY # 3642142 COLOR BLK VEHICLE MODEL IMPREZA

TYPE OF USE: COMMERCIAL GOVERNMENT IN EMERGENCY RESPONSE

US DOT # _____ TOWED BY: COMPANY NAME _____

HAZARDOUS MATERIAL: MATERIAL RELEASED PLACARD CLASS # _____ PLACARD ID # _____

UNIT TYPE 1

1 - PASSENGER CAR 6 - VAN (9-15 SEATS) 12 - GOLF CART 18 - LIMO (LIVERY VEHICLE) 23 - PEDESTRIAN/SKATER
 2 - PASSENGER VAN (MINIVAN) 7 - MOTORCYCLE 2-WHEELED 13 - SNOWMOBILE 19 - BUS (16+ PASSENGERS) 24 - WHEELCHAIR (ANY TYPE)
 3 - SPORT UTILITY VEHICLE 8 - MOTORCYCLE 3-WHEELED 14 - SINGLE UNIT TRUCK 20 - OTHER VEHICLE 25 - OTHER NON-MOTORIST
 4 - PICK UP 9 - AUTOCYCLE 15 - SEMI-TRACTOR 21 - HEAVY EQUIPMENT 26 - BICYCLE
 5 - CARGO VAN 10 - MOPED OR MOTORIZED BICYCLE 16 - FARM EQUIPMENT 22 - ANIMAL WITH RIDER OR ANIMAL-DRAWN VEHICLE 27 - TRAIN
 11 - ALL TERRAIN VEHICLE (ATV/UTV) 17 - MOTORHOME 99 - UNKNOWN OR HIT/SKIP

OF TRAILING UNITS _____

WAS VEHICLE OPERATING IN AUTONOMOUS MODE WHEN CRASH OCCURRED? 0

0 - NO AUTOMATION 3 - CONDITIONAL AUTOMATION 9 - UNKNOWN
 1 - DRIVER ASSISTANCE 4 - HIGH AUTOMATION
 2 - PARTIAL AUTOMATION 5 - FULL AUTOMATION

SPECIAL FUNCTION 1

1 - NONE 6 - BUS - CHARTER/TOUR 11 - FIRE 16 - FARM 21 - MAIL CARRIER
 2 - TAXI 7 - BUS - INTERCITY 12 - MILITARY 17 - MOWING 99 - OTHER / UNKNOWN
 3 - ELECTRONIC RIDE SHARING 8 - BUS - SHUTTLE 13 - POLICE 18 - SNOW REMOVAL
 4 - SCHOOL TRANSPORT 9 - BUS - OTHER 14 - PUBLIC UTILITY 19 - TOWING
 5 - BUS - TRANSIT/COMMUTER 10 - AMBULANCE 15 - CONSTRUCTION EQUIP. 20 - SAFETY SERVICE PATROL

CARGO BODY TYPE 1

1 - NO CARGO BODY TYPE / NOT APPLICABLE 4 - LOGGING 7 - GRAIN/CHIPS/GRAVEL 11 - DUMP 99 - OTHER / UNKNOWN
 2 - BUS 5 - INTERMODAL CONTAINER CHASSIS 8 - POLE 12 - CONCRETE MIXER
 3 - VEHICLE TOWING ANOTHER MOTOR VEHICLE 6 - CARGOVAN /ENCLOSED BOX 9 - CARGO TANK 13 - AUTO TRANSPORTER
 10 - FLAT BED 14 - GARBAGE/REFUSE

VEHICLE DEFECTS 1

1 - TURN SIGNALS 4 - BRAKES 7 - WORN OR SLICK TIRES 9 - MOTOR TROUBLE 99 - OTHER / UNKNOWN
 2 - HEAD LAMPS 5 - STEERING 8 - TRAILER EQUIPMENT DEFECTIVE 10 - DISABLED FROM PRIOR ACCIDENT
 3 - TAIL LAMPS 6 - TIRE BLOWOUT

NON-MOTORIST LOCATION 1

1 - INTERSECTION - MARKED CROSSWALK 4 - MIDBLOCK - MARKED CROSSWALK 7 - SHOULDER/ROADSIDE 10 - DRIVEWAY ACCESS 99 - OTHER / UNKNOWN
 2 - INTERSECTION - UNMARKED CROSSWALK 5 - TRAVEL LANE - OTHER LOCATION 8 - SIDEWALK 11 - SHARED USE PATHS OR TRAILS
 3 - INTERSECTION - OTHER 6 - BICYCLE LANE 9 - MEDIAN/CROSSING ISLAND 12 - FIRST RESPONDER AT INCIDENT SCENE

ACTION 4 PRE-CRASH ACTIONS 11

1 - NON-CONTACT 1 - STRAIGHT AHEAD 9 - LEAVING TRAFFIC LANE 15 - WALKING, RUNNING, JOGGING, PLAYING 21 - STANDING OUTSIDE DISABLED VEHICLE
 2 - NON-COLLISION 2 - BACKING 10 - PARKED 16 - WORKING 99 - OTHER / UNKNOWN
 3 - STRIKING 3 - CHANGING LANES 11 - SLOWING OR STOPPED IN TRAFFIC 17 - PUSHING VEHICLE 18 - APPROACHING OR LEAVING VEHICLE
 4 - STRUCK 4 - OVERTAKING/PASSING 12 - DRIVERLESS 19 - STANDING 20 - OTHER NON-MOTORIST
 5 - BOTH STRIKING & STRUCK 5 - MAKING RIGHT TURN 13 - NEGOTIATING A CURVE 19 - STANDING 20 - OTHER NON-MOTORIST
 6 - MAKING LEFT TURN 7 - MAKING U-TURN 14 - ENTERING OR CROSSING SPECIFIED LOCATION 20 - OTHER NON-MOTORIST
 8 - ENTERING TRAFFIC LANE 8 - ENTERING TRAFFIC LANE

CONTRIBUTING CIRCUMSTANCES 1

1 - NONE 8 - FOLLOWING TOO CLOSE /ACDA 13 - IMPROPER START FROM A PARKED POSITION 18 - OPERATING DEFECTIVE EQUIPMENT 23 - OPENING DOOR INTO ROADWAY
 2 - FAILURE TO YIELD 9 - IMPROPER LANE CHANGE 14 - STOPPED OR PARKED ILLEGALLY 19 - LOAD SHIFTING /FALLING/SPILLING 99 - OTHER IMPROPER ACTION
 3 - RAN RED LIGHT 10 - IMPROPER PASSING 15 - SWERVING TO AVOID 20 - IMPROPER CROSSING 21 - LYING IN ROADWAY
 4 - RAN STOP SIGN 11 - DROVE OFF ROAD 16 - WRONG WAY 22 - NOT DISCERNIBLE
 5 - UNSAFE SPEED 12 - IMPROPER BACKING 17 - VISION OBSTRUCTION 22 - NOT DISCERNIBLE
 6 - IMPROPER TURN 7 - LEFT OF CENTER

SEQUENCE OF EVENTS

EVENTS 20

1 - OVERTURN/ROLLOVER 7 - SEPARATION OF UNITS 12 - DOWNHILL RUNAWAY 19 - ANIMAL - OTHER 23 - STRUCK BY FALLING, SHIFTING CARGO OR ANYTHING SET IN MOTION BY A MOTOR VEHICLE
 2 - FIRE/EXPLOSION 8 - RAN OFF ROAD RIGHT 13 - OTHER NON-COLLISION 20 - MOTOR VEHICLE IN TRANSPORT
 3 - IMMERSION 9 - RAN OFF ROAD LEFT 14 - PEDESTRIAN 21 - PARKED MOTOR VEHICLE
 4 - JACKKNIFE 10 - CROSS MEDIAN 15 - PEDALCYCLE 22 - WORK ZONE MAINTENANCE EQUIPMENT
 5 - CARGO / EQUIPMENT LOSS OR SHIFT 11 - CROSS CENTERLINE - OPPOSITE DIRECTION OF TRAVEL 16 - RAILWAY VEHICLE 23 - STRUCK BY FALLING, SHIFTING CARGO OR ANYTHING SET IN MOTION BY A MOTOR VEHICLE
 6 - EQUIPMENT FAILURE 17 - ANIMAL - FARM 18 - ANIMAL - DEER 24 - OTHER MOVABLE OBJECT

COLLISION WITH FIXED OBJECT - STRUCK

25 - IMPACT ATTENUATOR / CRASH CUSHION 31 - GUARDRAIL END 38 - OVERHEAD SIGN POST 45 - EMBANKMENT 52 - BUILDING
 26 - BRIDGE OVERHEAD STRUCTURE 32 - PORTABLE BARRIER 39 - LIGHT / LUMINARIES SUPPORT 46 - FENCE 53 - TUNNEL
 27 - BRIDGE PIER OR ABUTMENT 33 - MEDIAN CABLE BARRIER 40 - UTILITY POLE 47 - MAILBOX 54 - OTHER FIXED OBJECT
 28 - BRIDGE PARAPET 34 - MEDIAN GUARDRAIL BARRIER 41 - OTHER POST, POLE OR SUPPORT 48 - TREE 99 - OTHER / UNKNOWN
 29 - BRIDGE RAIL 35 - MEDIAN CONCRETE BARRIER 42 - CULVERT 49 - FIRE HYDRANT 50 - WORK ZONE MAINTENANCE EQUIPMENT
 30 - GUARDRAIL FACE 36 - MEDIAN OTHER BARRIER 43 - CURB 44 - DITCH 51 - WALL

FIRST HARMFUL EVENT 1 MOST HARMFUL EVENT 1

LOCAL REPORT NUMBER
21-6507

DAMAGE

DAMAGE SCALE
 1 - NONE 3 - FUNCTIONAL DAMAGE
 2 - MINOR DAMAGE 4 - DISABLING DAMAGE
 9 - UNKNOWN

3

DAMAGED AREA(S)
INDICATE ALL THAT APPLY

- NO DAMAGE [0] - UNDERCARRIAGE [14]
 - TOP [13] - ALL AREAS [15]
 - UNIT NOT AT SCENE [16]

INITIAL POINT OF CONTACT

0 - NO DAMAGE 14 - UNDERCARRIAGE
 1-12 - REFER TO UNIT DIAGRAM 15 - VEHICLE NOT AT SCENE
 99 - UNKNOWN
12
 13 - TOP

TRAFFIC

TRAFFICWAY FLOW 2 TRAFFIC CONTROL 4

1 - ONE-WAY 2 - TWO-WAY
 1 - ROUNDABOUT 4 - STOP SIGN
 2 - SIGNAL 5 - YIELD SIGN
 3 - FLASHER 6 - NO CONTROL

OF THROUGH LANES ON ROAD 2 RAIL GRADE CROSSING 3

1 - NOT INVOLVED
 2 - INVOLVED-ACTIVE CROSSING
 3 - INVOLVED-PASSIVE CROSSING

UNIT / NON-MOTORIST DIRECTION

FROM 3 TO 4

1 - NORTH 5 - NORTHEAST
 2 - SOUTH 6 - NORTHWEST
 3 - EAST 7 - SOUTHEAST
 4 - WEST 8 - SOUTHWEST
 9 - OTHER / UNKNOWN

UNIT SPEED 0 DETECTED SPEED 1

1 - STATED / ESTIMATED SPEED
 2 - CALCULATED / EDR
 3 - UNDETERMINED

POSTED SPEED 45



MOTORIST / Non-MOTORIST

LOCAL REPORT NUMBER

21-6507

UNIT # 1	NAME: LAST, FIRST, MIDDLE FIEVET, KEVIN, THOMAS	DATE OF BIRTH 08/29/2001	AGE 19	GENDER M
-------------	--	-----------------------------	-----------	-------------

ADDRESS: STREET, CITY, STATE, ZIP 9545 CONGRESS ROAD, WEST SALEM, OH, 44287	CONTACT PHONE - INCLUDE AREA CODE [REDACTED]
--	---

INJURIES 5	INJURED TAKEN BY 1	EMS AGENCY (NAME)	INJURED TAKEN TO: MEDICAL FACILITY (NAME, CITY)	SAFETY EQUIPMENT USED 4	<input type="checkbox"/> DOT-COMPLIANT MC HELMET	SEATING POSITION 1	AIR BAG USAGE 1	EJECTION 1	TRAPPED 1
---------------	-----------------------	-------------------	---	----------------------------	--	-----------------------	--------------------	---------------	--------------

OL STATE OH	OPERATOR LICENSE NUMBER [REDACTED]	OFFENSE CHARGED 4511.38	LOCAL CODE <input type="checkbox"/>	OFFENSE DESCRIPTION IMPROPER STARTING AND BACKING	CITATION NUMBER Y41461
----------------	---------------------------------------	----------------------------	--	--	---------------------------

OL CLASS 4	ENDORSEMENT	RESTRICTION SELECT UP TO 3	DRIVER DISTRACTED BY 1	ALCOHOL / DRUG SUSPECTED <input type="checkbox"/> ALCOHOL <input type="checkbox"/> MARIJUANA <input type="checkbox"/> OTHER DRUG	CONDITION 1	ALCOHOL TEST			DRUG TEST(S)		
						STATUS	TYPE	VALUE	STATUS	TYPE	RESULTS SELECT UP TO 4
						1	1	.	1	1	

UNIT # 2	NAME: LAST, FIRST, MIDDLE [REDACTED]	DATE OF BIRTH [REDACTED]	AGE [REDACTED]	GENDER [REDACTED]
-------------	---	-----------------------------	-------------------	----------------------

ADDRESS: STREET, CITY, STATE, ZIP [REDACTED]	CONTACT PHONE - INCLUDE AREA CODE [REDACTED]
---	---

INJURIES 5	INJURED TAKEN BY 1	EMS AGENCY (NAME)	INJURED TAKEN TO: MEDICAL FACILITY (NAME, CITY)	SAFETY EQUIPMENT USED 4	<input type="checkbox"/> DOT-COMPLIANT MC HELMET	SEATING POSITION 1	AIR BAG USAGE 1	EJECTION 1	TRAPPED 1
---------------	-----------------------	-------------------	---	----------------------------	--	-----------------------	--------------------	---------------	--------------

OL STATE OH	OPERATOR LICENSE NUMBER [REDACTED]	OFFENSE CHARGED	LOCAL CODE <input type="checkbox"/>	OFFENSE DESCRIPTION	CITATION NUMBER
----------------	---------------------------------------	-----------------	--	---------------------	-----------------

OL CLASS 4	ENDORSEMENT	RESTRICTION SELECT UP TO 3	DRIVER DISTRACTED BY 1	ALCOHOL / DRUG SUSPECTED <input type="checkbox"/> ALCOHOL <input type="checkbox"/> MARIJUANA <input type="checkbox"/> OTHER DRUG	CONDITION 1	ALCOHOL TEST			DRUG TEST(S)		
						STATUS	TYPE	VALUE	STATUS	TYPE	RESULTS SELECT UP TO 4
						1	1	.	1	1	

UNIT #	NAME: LAST, FIRST, MIDDLE	DATE OF BIRTH	AGE	GENDER
--------	---------------------------	---------------	-----	--------

ADDRESS: STREET, CITY, STATE, ZIP	CONTACT PHONE - INCLUDE AREA CODE
-----------------------------------	-----------------------------------

INJURIES	INJURED TAKEN BY	EMS AGENCY (NAME)	INJURED TAKEN TO: MEDICAL FACILITY (NAME, CITY)	SAFETY EQUIPMENT USED	<input type="checkbox"/> DOT-COMPLIANT MC HELMET	SEATING POSITION	AIR BAG USAGE	EJECTION	TRAPPED
----------	------------------	-------------------	---	-----------------------	--	------------------	---------------	----------	---------

OL STATE	OPERATOR LICENSE NUMBER	OFFENSE CHARGED	LOCAL CODE	OFFENSE DESCRIPTION	CITATION NUMBER
----------	-------------------------	-----------------	------------	---------------------	-----------------

OL CLASS	ENDORSEMENT	RESTRICTION SELECT UP TO 3	DRIVER DISTRACTED BY	ALCOHOL / DRUG SUSPECTED	CONDITION	ALCOHOL TEST			DRUG TEST(S)		
				<input type="checkbox"/> ALCOHOL <input type="checkbox"/> MARIJUANA <input type="checkbox"/> OTHER DRUG		STATUS	TYPE	VALUE	STATUS	TYPE	RESULTS SELECT UP TO 4

INJURIES	SEATING POSITION	AIR BAG	OL CLASS	OL RESTRICTION(S)	DRIVER DISTRACTION	TEST STATUS
1 - FATAL	1 - FRONT - LEFT SIDE (MOTORCYCLE DRIVER)	1 - NOT DEPLOYED	1 - CLASS A	1 - ALCOHOL INTERLOCK DEVICE	1 - NOT DISTRACTED	1 - NONE GIVEN
2 - SUSPECTED SERIOUS INJURY	2 - FRONT - MIDDLE	2 - DEPLOYED FRONT	2 - CLASS B	2 - CDL INTRASTATE ONLY	2 - MANUALLY OPERATING AN ELECTRONIC COMMUNICATION DEVICE (TEXTING, TYPING, DIALING)	2 - TEST REFUSED
3 - SUSPECTED MINOR INJURY	3 - FRONT - RIGHT SIDE	3 - DEPLOYED SIDE	3 - CLASS C	3 - CORRECTIVE LENSES	3 - TALKING ON HANDS-FREE COMMUNICATION DEVICE	3 - TEST GIVEN, CONTAMINATED SAMPLE / UNUSABLE
4 - POSSIBLE INJURY	4 - SECOND - LEFT SIDE (MOTORCYCLE PASSENGER)	4 - DEPLOYED BOTH FRONT/SIDE	4 - REGULAR CLASS (OHIO = D)	4 - FARM WAIVER	4 - TALKING ON HAND-HELD COMMUNICATION DEVICE	4 - TEST GIVEN, RESULTS KNOWN
5 - NO APPARENT INJURY	5 - SECOND - MIDDLE	5 - NOT APPLICABLE	5 - M/C MOPED ONLY	5 - EXCEPT CLASS A BUS & CLASS B BUS	5 - OTHER ACTIVITY WITH AN ELECTRONIC DEVICE	5 - TEST GIVEN, RESULTS UNKNOWN
	6 - SECOND - RIGHT SIDE	9 - DEPLOYMENT UNKNOWN	6 - NO VALID OL	6 - EXCEPT CLASS A & CLASS B TRACTOR-TRAILER	6 - PASSENGER	
	7 - THIRD - LEFT SIDE (MOTORCYCLE SIDE CAR)			7 - EXCEPT TRACTOR-TRAILER	7 - OTHER DISTRACTION INSIDE THE VEHICLE	
	8 - THIRD - MIDDLE	EJECTION	OL ENDORSEMENT	8 - INTERMEDIATE LICENSE RESTRICTIONS	8 - OTHER DISTRACTION OUTSIDE THE VEHICLE	ALCOHOL TEST TYPE
INJURIES TAKEN BY	9 - THIRD - RIGHT SIDE	1 - NOT EJECTED	H - HAZMAT	9 - LEARNER'S PERMIT RESTRICTIONS	9 - OTHER / UNKNOWN	1 - NONE
1 - NOT TRANSPORTED / TREATED AT SCENE	10 - SLEEPER SECTION OF TRUCK CAB	2 - PARTIALLY EJECTED	M - MOTORCYCLE	10 - LIMITED TO DAYLIGHT ONLY		2 - BLOOD
2 - EMS	11 - PASSENGER IN OTHER ENCLOSED CARGO AREA (NON-TRAILING UNIT, BUS, PICK-UP WITH CAP)	3 - TOTALLY EJECTED	P - PASSENGER	11 - LIMITED TO EMPLOYMENT		3 - URINE
3 - POLICE	12 - PASSENGER IN UNENCLOSED CARGO AREA	4 - NOT APPLICABLE	N - TANKER	12 - LIMITED - OTHER		4 - BREATH
9 - OTHER / UNKNOWN	13 - TRAILING UNIT	TRAPPED	Q - MOTOR SCOOTER	13 - MECHANICAL DEVICES (SPECIAL BRAKES, HAND CONTROLS, OR OTHER ADAPTIVE DEVICES)	CONDITION	5 - OTHER
SAFETY EQUIPMENT	14 - RIDING ON VEHICLE EXTERIOR (NON-TRAILING UNIT)	1 - NOT TRAPPED	R - THREE-WHEEL MOTORCYCLE	14 - MILITARY VEHICLES ONLY	1 - APPARENTLY NORMAL	DRUG TEST TYPE
1 - NONE USED	15 - NON-MOTORIST	2 - EXTRICATED BY MECHANICAL MEANS	S - SCHOOL BUS	15 - MOTOR VEHICLES WITHOUT AIR BRAKES	2 - PHYSICAL IMPAIRMENT	1 - NONE
2 - SHOULDER BELT ONLY USED	99 - OTHER / UNKNOWN	3 - FREED BY NON-MECHANICAL MEANS	T - DOUBLE & TRIPLE TRAILERS	16 - OUTSIDE MIRROR	3 - EMOTIONAL (E.G., DEPRESSED, ANGRY, DISTURBED)	2 - BLOOD
3 - LAP BELT ONLY USED			X - TANKER / HAZMAT	17 - PROSTHETIC AID	4 - ILLNESS	3 - URINE
4 - SHOULDER & LAP BELT USED				18 - OTHER	5 - FELL ASLEEP, FAINTED, FATIGUED, ETC.	4 - OTHER
5 - CHILD RESTRAINT SYSTEM - FORWARD FACING			GENDER		6 - UNDER THE INFLUENCE OF MEDICATIONS / DRUGS / ALCOHOL	DRUG TEST RESULT(S)
6 - CHILD RESTRAINT SYSTEM - REAR FACING			F - FEMALE		9 - OTHER / UNKNOWN	1 - AMPHETAMINES
7 - BOOSTER SEAT			M - MALE			2 - BARBITURATES
8 - HELMET USED			U - OTHER / UNKNOWN			3 - BENZODIAZEPINES
9 - PROTECTIVE PADS USED (ELBOWS, KNEES, ETC)						4 - CANNABINOIDS
10 - REFLECTIVE CLOTHING						5 - COCAINE
11 - LIGHTING - PEDESTRIAN / BICYCLE ONLY						6 - OPIATES / OPIOIDS
99 - OTHER / UNKNOWN						7 - OTHER
						8 - NEGATIVE RESULTS



OCCUPANT / WITNESS ADDENDUM

LOCAL REPORT NUMBER
21-6507

OCCUPANT	UNIT # 1	NAME: LAST, FIRST, MIDDLE SANDER, MATTHEW, M	DATE OF BIRTH 08/07/1993		AGE 27	GENDER M			
	ADDRESS: STREET, CITY, STATE, ZIP 155 WEST BERGEY STREET, WADSWORTH, OH, 44281					CONTACT PHONE - INCLUDE AREA CODE [REDACTED]			
	INJURIES 5	INJURED TAKEN BY 1	EMS AGENCY (NAME)	INJURED TAKEN TO: MEDICAL FACILITY (NAME, CITY)	SAFETY EQUIPMENT 4	<input type="checkbox"/> DOT-COMPLIANT MC HELMET	SEATING POSITION 3	AIR BAG USAGE 1	EJECTION 1

OCCUPANT	UNIT #	NAME: LAST, FIRST, MIDDLE	DATE OF BIRTH		AGE	GENDER			
	ADDRESS: STREET, CITY, STATE, ZIP					CONTACT PHONE - INCLUDE AREA CODE			
	INJURIES	INJURED TAKEN BY	EMS AGENCY (NAME)	INJURED TAKEN TO: MEDICAL FACILITY (NAME, CITY)	SAFETY EQUIPMENT	<input type="checkbox"/> DOT-COMPLIANT MC HELMET	SEATING POSITION	AIR BAG USAGE	EJECTION

OCCUPANT	UNIT #	NAME: LAST, FIRST, MIDDLE	DATE OF BIRTH		AGE	GENDER			
	ADDRESS: STREET, CITY, STATE, ZIP					CONTACT PHONE - INCLUDE AREA CODE			
	INJURIES	INJURED TAKEN BY	EMS AGENCY (NAME)	INJURED TAKEN TO: MEDICAL FACILITY (NAME, CITY)	SAFETY EQUIPMENT	<input type="checkbox"/> DOT-COMPLIANT MC HELMET	SEATING POSITION	AIR BAG USAGE	EJECTION

OCCUPANT	UNIT #	NAME: LAST, FIRST, MIDDLE	DATE OF BIRTH		AGE	GENDER			
	ADDRESS: STREET, CITY, STATE, ZIP					CONTACT PHONE - INCLUDE AREA CODE			
	INJURIES	INJURED TAKEN BY	EMS AGENCY (NAME)	INJURED TAKEN TO: MEDICAL FACILITY (NAME, CITY)	SAFETY EQUIPMENT	<input type="checkbox"/> DOT-COMPLIANT MC HELMET	SEATING POSITION	AIR BAG USAGE	EJECTION

INJURIES	SAFETY EQUIPMENT USED	SEATING POSITION	AIR BAG USAGE
1 - FATAL	1 - NONE USED - VEHICLE OCCUPANT	1 - FRONT - LEFT SIDE (MOTORCYCLE DRIVER)	1 - NOT DEPLOYED
2 - SUSPECTED SERIOUS INJURY	2 - SHOULDER BELT ONLY USED	2 - FRONT - MIDDLE	2 - DEPLOYED FRONT
3 - SUSPECTED MINOR INJURY	3 - LAP BELT ONLY USED	3 - FRONT - RIGHT SIDE	3 - DEPLOYED SIDE
4 - POSSIBLE INJURY	4 - SHOULDER & LAP BELT USED	4 - SECOND - LEFT SIDE (MOTORCYCLE PASSENGER)	4 - DEPLOYED BOTH FRONT/SIDE
5 - NO APPARENT INJURY	5 - CHILD RESTRAINT SYSTEM - FORWARD FACING	5 - SECOND - MIDDLE	5 - NOT APPLICABLE
	6 - CHILD RESTRAINT SYSTEM - REAR FACING	6 - SECOND - RIGHT SIDE	9 - DEPLOYMENT UNKNOWN
	7 - BOOSTER SEAT	7 - THIRD - LEFT SIDE (MOTORCYCLE SIDE CAR)	
	8 - HELMET USED	8 - THIRD - MIDDLE	
	9 - PROTECTIVE PADS USED (ELBOWS, KNEES, ETC)	9 - THIRD - RIGHT SIDE	
	10 - REFLECTIVE CLOTHING	10 - SLEEPER SECTION OF TRUCK CAB	
	11 - LIGHTING - PEDESTRIAN / BICYCLE ONLY	11 - PASSENGER IN OTHER ENCLOSED CARGO AREA (NON-TRAILING UNIT SUCH AS A BUS, PICK-UP WITH CAP)	
	99 - OTHER / UNKNOWN	12 - PASSENGER IN UNENCLOSED CARGO AREA	
		13 - TRAILING UNIT	
		14 - RIDING ON VEHICLE EXTERIOR (NON-TRAILING UNIT)	
		15 - NON-MOTORIST	
		99 - OTHER / UNKNOWN	

WITNESS	NAME: LAST, FIRST, MIDDLE	DATE OF BIRTH	AGE	GENDER
	ADDRESS: STREET, CITY, STATE, ZIP	CONTACT PHONE - INCLUDE AREA CODE		

WITNESS	NAME: LAST, FIRST, MIDDLE	DATE OF BIRTH	AGE	GENDER
	ADDRESS: STREET, CITY, STATE, ZIP	CONTACT PHONE - INCLUDE AREA CODE		

WITNESS	NAME: LAST, FIRST, MIDDLE	DATE OF BIRTH	AGE	GENDER
	ADDRESS: STREET, CITY, STATE, ZIP	CONTACT PHONE - INCLUDE AREA CODE		