



TRAFFIC CRASH REPORT

*DENOTES MANDATORY FIELD FOR SUPPLEMENT REPORT

LOCAL REPORT NUMBER *

22-45059

<input checked="" type="checkbox"/> PHOTOS TAKEN	<input type="checkbox"/> OH -2	<input type="checkbox"/> OH -3	LOCAL INFORMATION	3393 SHARON COPLEY
<input type="checkbox"/> SECONDARY CRASH	<input type="checkbox"/> OH-1P	<input type="checkbox"/> OTHER	REPORTING AGENCY NAME *	NCIC *
<input type="checkbox"/> PRIVATE PROPERTY			Montville Police Department	05213

COUNTY*	LOCALITY*	LOCATION: CITY, VILLAGE, TOWNSHIP*	CRASH DATE / TIME*	CRASH SEVERITY
52	1	Montville (Township of)	08/21/2022 19:06	5

ROUTE TYPE	ROUTE NUMBER	PREFIX	LOCATION ROAD NAME	ROAD TYPE	LATITUDE DECIMAL DEGREES	CRASH SEVERITY 1 - FATAL 2 - SERIOUS INJURY SUSPECTED 3 - MINOR INJURY SUSPECTED 4 - INJURY POSSIBLE 5 - PROPERTY DAMAGE ONLY
SR	162	1 - NORTH 2 - SOUTH 3 - EAST 4 - WEST			41.166110	
ROUTE TYPE	ROUTE NUMBER	PREFIX	REFERENCE ROAD NAME (ROAD, MILEPOST, HOUSE #)	ROAD TYPE	LONGITUDE DECIMAL DEGREES	
		1 - NORTH 2 - SOUTH 3 - EAST 4 - WEST	3393 Sharon Copley Rd.		-81.809507	

REFERENCE POINT	DIRECTION FROM REFERENCE	ROUTE TYPE	ROAD TYPE	INTERSECTION RELATED
3	3	IR - INTERSTATE ROUTE (TP) US - FEDERAL US ROUTE SR - STATE ROUTE CR - NUMBERED COUNTY ROUTE TR - NUMBERED TOWNSHIP ROUTE	AL - ALLEY AV - AVENUE BL - BOULEVARD CR - CIRCLE CT - COURT DR - DRIVE HE - HEIGHTS HW - HIGHWAY LA - LANE MP - MILEPOST OV - OVAL PK - PARKWAY PI - PIKE PL - PLACE RD - ROAD SQ - SQUARE ST - STREET TE - TERRACE TL - TRAIL WA - WAY	<input type="checkbox"/> WITHIN INTERSECTION OR ON APPROACH <input type="checkbox"/> WITHIN INTERCHANGE AREA
DISTANCE FROM REFERENCE	DISTANCE UNIT OF MEASURE			NUMBER OF APPROACHES
5.00	2			

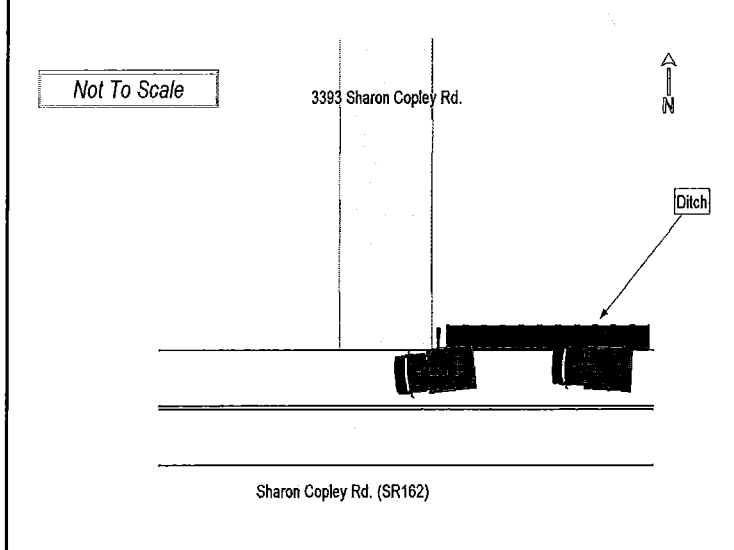
LOCATION OF FIRST HARMFUL EVENT	MANNER OF CRASH COLLISION/IMPACT	DIRECTION OF TRAVEL	MEDIAN TYPE
2	1	1 - NORTH 2 - SOUTH 3 - EAST 4 - WEST	1 - DIVIDED FLUSH MEDIAN (< 4 FEET) 2 - DIVIDED FLUSH MEDIAN (≥ 4 FEET) 3 - DIVIDED, DEPRESSED MEDIAN 4 - DIVIDED, RAISED MEDIAN (ANY TYPE) 9 - OTHER / UNKNOWN

WORK ZONE RELATED	WORKERS PRESENT	LAW ENFORCEMENT PRESENT	ACTIVE SCHOOL ZONE	WORK ZONE TYPE	LOCATION OF CRASH IN WORK ZONE	CONTOUR	CONDITIONS	SURFACE
<input type="checkbox"/>	<input type="checkbox"/>	<input type="checkbox"/>	<input type="checkbox"/>	1 - LANE CLOSURE 2 - LANE SHIFT/ CROSSOVER 3 - WORK ON SHOULDER OR MEDIAN 4 - INTERMITTENT OR MOVING WORK 5 - OTHER	1 - BEFORE THE 1ST WORK ZONE WARNING SIGN 2 - ADVANCE WARNING AREA 3 - TRANSITION AREA 4 - ACTIVITY AREA 5 - TERMINATION AREA	2	1	2

LIGHT CONDITION	WEATHER	CONTOUR	CONDITIONS	SURFACE
1	1	2	1	2

NARRATIVE

The homeowners, Charles and Sharon Burgess, called to report that a Lagerheads box van struck their mailbox and continued westbound on Sharon Copley Rd. There was a witness that stopped and told them he had witnessed what had happened. I was able to identify the driver of the box van by contacting the owner of Lagerheads. I spoke with the driver who stated he didnt remeber hitting anything but was on his GPS. He was cited for resonable control of a motor vehicle.



CRASH REPORTED DATE / TIME	DISPATCH DATE / TIME	ARRIVAL DATE / TIME	SCENE CLEARED DATE / TIME	REPORT TAKEN BY
08/21/2022 19:06	08/21/2022 19:06	08/21/2022 19:13	08/21/2022 19:46	<input checked="" type="checkbox"/> POLICE AGENCY <input type="checkbox"/> MOTORIST
TOTAL TIME ROADWAY CLOSED	OTHER INVESTIGATION TIME	TOTAL MINUTES	OFFICER'S NAME*	CHECKED BY OFFICER'S NAME*
		40	Denton, Zachary	Harrison, Brett
			OFFICER'S BADGE NUMBER*	CHECKED BY OFFICER'S BADGE NUMBER*
			1614	1606

OWNER

UNIT # 1 OWNER NAME: LAST, FIRST, MIDDLE (SAME AS DRIVER)
 HOLDINGS, MJM

OWNER ADDRESS: STREET, CITY, STATE, ZIP (SAME AS DRIVER)
 2832 ABBEYVILLE RD., MEDINA, OH, 44256

COMMERCIAL CARRIER: NAME, ADDRESS, CITY, STATE, ZIP

OWNER PHONE: INCLUDE AREA CODE (SAME AS DRIVER)

COMMERCIAL CARRIER PHONE: INCLUDE AREA CODE

VEHICLE

LP STATE OH LICENSE PLATE # PJG1337 VEHICLE IDENTIFICATION # 1GBJG31U171125150 VEHICLE YEAR 2007 VEHICLE MAKE CHEVROLET

INSURANCE VERIFIED INSURANCE COMPANY PFISTER INSURANCE POLICY # 6618741 COLOR WHI VEHICLE MODEL VAN

COMMERCIAL GOVERNMENT IN EMERGENCY RESPONSE

INTERLOCK DEVICE EQUIPPED HIT/SKIP UNIT # OCCUPANTS

US DOT #

VEHICLE WEIGHT GVWR/GCWR
 1 - ≤ 10K LBS.
 2 - 10,001 - 26K LBS.
 3 - > 26K LBS.

HAZARDOUS MATERIAL CLASS # PLACARD ID #
 MATERIAL RELEASED PLACARD

TOWED BY: COMPANY NAME

UNIT TYPE 5

1 - PASSENGER CAR 6 - VAN (9-15 SEATS) 12 - GOLF CART 18 - LIMO (LIVERY VEHICLE) 23 - PEDESTRIAN/SKATER
 2 - PASSENGER VAN (MINIVAN) 7 - MOTORCYCLE 2-WHEELED 13 - SNOWMOBILE 19 - BUS (16+ PASSENGERS) 24 - WHEELCHAIR (ANY TYPE)
 3 - SPORT UTILITY VEHICLE 8 - MOTORCYCLE 3-WHEELED 14 - SINGLE UNIT TRUCK 20 - OTHER VEHICLE 25 - OTHER NON-MOTORIST
 4 - PICK UP 9 - AUTOCYCLE 15 - SEMI-TRACTOR 21 - HEAVY EQUIPMENT 26 - BICYCLE
 5 - CARGO VAN 10 - MOPED OR MOTORIZED BICYCLE 16 - FARM EQUIPMENT 22 - ANIMAL WITH RIDER OR ANIMAL-DRAWN VEHICLE 27 - TRAIN
 11 - ALL TERRAIN VEHICLE (ATV/UTV) 17 - MOTORHOME 99 - UNKNOWN OR HIT/SKIP

OF TRAILING UNITS

WAS VEHICLE OPERATING IN AUTONOMOUS MODE WHEN CRASH OCCURRED? 0

0 - NO AUTOMATION 3 - CONDITIONAL AUTOMATION 9 - UNKNOWN
 1 - DRIVER ASSISTANCE 4 - HIGH AUTOMATION

AUTONOMOUS MODE LEVEL

2 1 - YES 2 - NO 9 - OTHER / UNKNOWN 2 - PARTIAL AUTOMATION 5 - FULL AUTOMATION

SPECIAL FUNCTION 1

1 - NONE 6 - BUS - CHARTER/TOUR 11 - FIRE 16 - FARM 21 - MAIL CARRIER
 2 - TAXI 7 - BUS - INTERCITY 12 - MILITARY 17 - MOWING 99 - OTHER / UNKNOWN
 3 - ELECTRONIC RIDE SHARING 8 - BUS - SHUTTLE 13 - POLICE 18 - SNOW REMOVAL
 4 - SCHOOL TRANSPORT 9 - BUS - OTHER 14 - PUBLIC UTILITY 19 - TOWING
 5 - BUS - TRANSIT/COMMUTER 10 - AMBULANCE 15 - CONSTRUCTION EQUIP. 20 - SAFETY SERVICE PATROL

CARGO BODY TYPE 6

1 - NO CARGO BODY TYPE / NOT APPLICARI F 4 - LOGGING 7 - GRAIN/CHIPS/GRAVEL 11 - DUMP 99 - OTHER / UNKNOWN
 2 - BUS 5 - INTERMODAL CONTAINER CHASSIS 12 - CONCRETE MIXER
 3 - VEHICLE TOWING ANOTHER MOTOR VEHICLE 6 - CARGO VAN /ENCLOSED BOX 9 - CARGO TANK 13 - AUTO TRANSPORTER
 10 - FLAT BED 14 - GARBAGE/REFUSE

VEHICLE DEFECTS

1 - TURN SIGNALS 4 - BRAKES 7 - WORN OR SLICK TIRES 9 - MOTOR TROUBLE 99 - OTHER / UNKNOWN
 2 - HEAD LAMPS 5 - STEERING 8 - TRAILER EQUIPMENT DEFECTIVE 10 - DISABLED FROM PRIOR ACCIDENT
 3 - TAIL LAMPS 6 - TIRE BLOWOUT

NON-MOTORIST LOCATION

1 - INTERSECTION - MARKED CROSSWALK 4 - MIDBLOCK - MARKED CROSSWALK 7 - SHOULDER/ROADSIDE 10 - DRIVEWAY ACCESS 99 - OTHER / UNKNOWN
 2 - INTERSECTION - UNMARKED CROSSWALK 5 - TRAVEL LANE - OTHER LOCATION 8 - SIDEWALK 11 - SHARED USE PATHS OR TRAILS
 3 - INTERSECTION - OTHER 6 - BICYCLE LANE 9 - MEDIAN/CROSSING ISLAND 12 - FIRST RESPONDER AT INCIDENT SCENE

ACTION 3 PRE-CRASH ACTIONS 9

1 - NON-CONTACT 1 - STRAIGHT AHEAD 9 - LEAVING TRAFFIC LANE 15 - WALKING, RUNNING, JOGGING, PLAYING 21 - STANDING OUTSIDE DISABLED VEHICLE
 2 - NON-COLLISION 2 - BACKING 10 - PARKED 16 - WORKING 99 - OTHER / UNKNOWN
 3 - STRIKING 3 - CHANGING LANES 11 - SLOWING OR STOPPED IN TRAFFIC 17 - PUSHING VEHICLE 18 - APPROACHING OR LEAVING VEHICLE
 4 - STRUCK 4 - OVERTAKING/PASSING 12 - DRIVERLESS 13 - NEGOTIATING A CURVE 19 - STANDING
 5 - BOTH STRIKING & STRUCK 7 - MAKING U-TURN 14 - ENTERING OR CROSSING SPECIFIED LOCATION 20 - OTHER NON-MOTORIST
 9 - OTHER / UNKNOWN 8 - ENTERING TRAFFIC LANE

CONTRIBUTING CIRCUMSTANCES 11

1 - NONE 8 - FOLLOWING TOO CLOSE /ACDA 13 - IMPROPER START FROM A PARKED POSITION 18 - OPERATING DEFECTIVE EQUIPMENT 23 - OPENING DOOR INTO ROADWAY
 2 - FAILURE TO YIELD 9 - IMPROPER LANE CHANGE 14 - STOPPED OR PARKED ILLEGALLY 19 - LOAD SHIFTING /FALLING/SPILLING 99 - OTHER IMPROPER ACTION
 3 - RAN RED LIGHT 10 - IMPROPER PASSING 15 - SWERVING TO AVOID 20 - IMPROPER CROSSING
 4 - RAN STOP SIGN 11 - DROVE OFF ROAD 16 - WRONG WAY 21 - LYING IN ROADWAY
 5 - UNSAFE SPEED 12 - IMPROPER BACKING 17 - VISION OBSTRUCTION 22 - NOT DISCERNIBLE
 6 - IMPROPER TURN 7 - LEFT OF CENTER

EVENTS (6)

SEQUENCE OF EVENTS

1 8 1 - OVERTURN/ROLLOVER 7 - SEPARATION OF UNITS 12 - DOWNHILL RUNAWAY 19 - ANIMAL - OTHER 23 - STRUCK BY FALLING, SHIFTING CARGO OR ANYTHING SET IN MOTION BY A MOTOR VEHICLE
 2 47 2 - FIRE/EXPLOSION 8 - RAN OFF ROAD RIGHT 13 - OTHER NON-COLLISION 20 - MOTOR VEHICLE IN TRANSPORT
 3 - IMMERSION 9 - RAN OFF ROAD LEFT 14 - PEDESTRIAN 21 - PARKED MOTOR VEHICLE
 4 - JACKKNIFE 10 - CROSS MEDIAN 15 - PEDALCYCLE 22 - WORK ZONE MAINTENANCE EQUIPMENT
 5 - CARGO /EQUIPMENT LOSS OR SHIFT 11 - CROSS CENTERLINE - OPPOSITE DIRECTION OF TRAVEL 16 - RAILWAY VEHICLE 23 - STRUCK BY FALLING, SHIFTING CARGO OR ANYTHING SET IN MOTION BY A MOTOR VEHICLE
 6 - EQUIPMENT FAILURE OF TRAVEL 17 - ANIMAL - FARM 18 - ANIMAL - DEER 24 - OTHER MOVABLE OBJECT

EVENTS

25 - IMPACT ATTENUATOR / CRASH CUSHION 31 - GUARDRAIL END 38 - OVERHEAD SIGN POST 45 - EMBANKMENT 52 - BUILDING
 26 - BRIDGE OVERHEAD STRUCTURE 32 - PORTABLE BARRIER 39 - LIGHT /LUMINARIES SUPPORT 46 - FENCE 53 - TUNNEL
 27 - BRIDGE PIER OR ABUTMENT 33 - MEDIAN CABLE BARRIER 40 - UTILITY POLE 47 - MAILBOX 54 - OTHER FIXED OBJECT
 28 - BRIDGE PARAPET 34 - MEDIAN GUARDRAIL BARRIER 41 - OTHER POST, POLE OR SUPPORT 48 - TREE 99 - OTHER / UNKNOWN
 29 - BRIDGE RAIL 35 - MEDIAN CONCRETE BARRIER 42 - CULVERT 49 - FIRE HYDRANT 50 - WORK ZONE MAINTENANCE EQUIPMENT
 30 - GUARDRAIL FACE 36 - MEDIAN OTHER BARRIER 43 - CURB 44 - DITCH 51 - WALL

COLLISION WITH FIXED OBJECT - STRUCK

1 1 FIRST HARMFUL EVENT 2 2 MOST HARMFUL EVENT

LOCAL REPORT NUMBER
 22-45059

DAMAGE

DAMAGE SCALE

1 - NONE 3 - FUNCTIONAL DAMAGE
 2 - MINOR DAMAGE 4 - DISABLING DAMAGE
 9 - UNKNOWN

DAMAGED AREA(S)
 INDICATE ALL THAT APPLY

NO DAMAGE [0] UNDERCARRIAGE [14]
 TOP [13] ALL AREAS [15]
 UNIT NOT AT SCENE [16]

INITIAL POINT OF CONTACT

3 0 - NO DAMAGE 14 - UNDERCARRIAGE
 1-12 - REFER TO UNIT DIAGRAM 15 - VEHICLE NOT AT SCENE
 99 - UNKNOWN
 13 - TOP

TRAFFIC

TRAFFICWAY FLOW 2

1 - ONE-WAY
 2 - TWO-WAY

TRAFFIC CONTROL 6

1 - ROUNDABOUT 4 - STOP SIGN
 2 - SIGNAL 5 - YIELD SIGN
 3 - FLASHER 6 - NO CONTROL

OF THROUGH LANES ON ROAD 2

RAIL GRADE CROSSING 1

1 - NOT INVOLVED
 2 - INVOLVED-ACTIVE CROSSING
 3 - INVOLVED-PASSIVE CROSSING

UNIT / NON-MOTORIST DIRECTION

FROM 3 TO 4

1 - NORTH 5 - NORTHEAST
 2 - SOUTH 6 - NORTHWEST
 3 - EAST 7 - SOUTHEAST
 4 - WEST 8 - SOUTHWEST
 9 - OTHER / UNKNOWN

UNIT SPEED 20

DETECTED SPEED

1 - STATED / ESTIMATED SPEED
 2 - CALCULATED / EDR
 3 - UNDETERMINED

POSTED SPEED 45



MOTORIST / Non-MOTORIST

LOCAL REPORT NUMBER
22-45059

UNIT # 1	NAME: LAST, FIRST, MIDDLE GARRISON, ADAM, D.P.				DATE OF BIRTH 09/03/1993		AGE 28	GENDER M				
ADDRESS: STREET, CITY, STATE, ZIP 223 WOOSTER ST., LODI, OH, 44254					CONTACT PHONE - INCLUDE AREA CODE [REDACTED]							
INJURIES 5	INJURED TAKEN BY 1	EMS AGENCY (NAME)		INJURED TAKEN TO: MEDICAL FACILITY (NAME, CITY)		SAFETY EQUIPMENT USED 4	<input type="checkbox"/> DOT-COMPLIANT <input type="checkbox"/> MC HELMET	SEATING POSITION 1	AIR BAG USAGE 1	EJECTION 1	TRAPPED 1	
OL STATE OH	OPERATOR LICENSE NUMBER			OFFENSE CHARGED 4511.202		LOCAL CODE <input type="checkbox"/>	OFFENSE DESCRIPTION OPERATING VEHICLE WITHOUT REAS			CITATION NUMBER Y42751		
OL CLASS 4	ENDORSEMENT	RESTRICTION SELECT UP TO 3		DRIVER DISTRACTED BY 7	ALCOHOL / DRUG SUSPECTED <input type="checkbox"/> ALCOHOL <input type="checkbox"/> MARIJUANA <input type="checkbox"/> OTHER DRUG		CONDITION 9	ALCOHOL TEST STATUS: 1, TYPE: 1, VALUE: .			DRUG TEST(S) STATUS: 1, TYPE: 1, RESULTS SELECT UP TO 4	

UNIT #	NAME: LAST, FIRST, MIDDLE				DATE OF BIRTH		AGE	GENDER				
ADDRESS: STREET, CITY, STATE, ZIP					CONTACT PHONE - INCLUDE AREA CODE							
INJURIES	INJURED TAKEN BY	EMS AGENCY (NAME)		INJURED TAKEN TO: MEDICAL FACILITY (NAME, CITY)		SAFETY EQUIPMENT USED	<input type="checkbox"/> DOT-COMPLIANT <input type="checkbox"/> MC HELMET	SEATING POSITION	AIR BAG USAGE	EJECTION	TRAPPED	
OL STATE	OPERATOR LICENSE NUMBER			OFFENSE CHARGED		LOCAL CODE <input type="checkbox"/>	OFFENSE DESCRIPTION			CITATION NUMBER		
OL CLASS	ENDORSEMENT	RESTRICTION SELECT UP TO 3		DRIVER DISTRACTED BY	ALCOHOL / DRUG SUSPECTED <input type="checkbox"/> ALCOHOL <input type="checkbox"/> MARIJUANA <input type="checkbox"/> OTHER DRUG		CONDITION	ALCOHOL TEST STATUS: , TYPE: , VALUE: .			DRUG TEST(S) STATUS: , TYPE: , RESULTS SELECT UP TO 4	

UNIT #	NAME: LAST, FIRST, MIDDLE				DATE OF BIRTH		AGE	GENDER				
ADDRESS: STREET, CITY, STATE, ZIP					CONTACT PHONE - INCLUDE AREA CODE							
INJURIES	INJURED TAKEN BY	EMS AGENCY (NAME)		INJURED TAKEN TO: MEDICAL FACILITY (NAME, CITY)		SAFETY EQUIPMENT USED	<input type="checkbox"/> DOT-COMPLIANT <input type="checkbox"/> MC HELMET	SEATING POSITION	AIR BAG USAGE	EJECTION	TRAPPED	
OL STATE	OPERATOR LICENSE NUMBER			OFFENSE CHARGED		LOCAL CODE <input type="checkbox"/>	OFFENSE DESCRIPTION			CITATION NUMBER		
OL CLASS	ENDORSEMENT	RESTRICTION SELECT UP TO 3		DRIVER DISTRACTED BY	ALCOHOL / DRUG SUSPECTED <input type="checkbox"/> ALCOHOL <input type="checkbox"/> MARIJUANA <input type="checkbox"/> OTHER DRUG		CONDITION	ALCOHOL TEST STATUS: , TYPE: , VALUE: .			DRUG TEST(S) STATUS: , TYPE: , RESULTS SELECT UP TO 4	

INJURIES	SEATING POSITION	AIR BAG	OL CLASS	OL RESTRICTION(S)	DRIVER DISTRACTION	TEST STATUS
1 - FATAL	1 - FRONT - LEFT SIDE (MOTORCYCLE DRIVER)	1 - NOT DEPLOYED	1 - CLASS A	1 - ALCOHOL INTERLOCK DEVICE	1 - NOT DISTRACTED	1 - NONE GIVEN
2 - SUSPECTED SERIOUS INJURY	2 - FRONT - MIDDLE	2 - DEPLOYED FRONT	2 - CLASS B	2 - COL INTRASTATE ONLY	2 - MANUALLY OPERATING AN ELECTRONIC COMMUNICATION DEVICE (TEXTING, TYPING, EMAILING)	2 - TEST REFUSED
3 - SUSPECTED MINOR INJURY	3 - FRONT - RIGHT SIDE	3 - DEPLOYED SIDE	3 - CLASS C	3 - CORRECTIVE LENSES	3 - TALKING ON HANDS-FREE COMMUNICATION DEVICE	3 - TEST GIVEN, CONTAMINATED SAMPLE / UNUSABLE
4 - POSSIBLE INJURY	4 - SECOND - LEFT SIDE (MOTORCYCLE PASSENGER)	4 - DEPLOYED BOTH FRONT/SIDE	4 - REGULAR CLASS (OHIO = D)	4 - FARM WAIVER	4 - TALKING ON HAND-HELD COMMUNICATION DEVICE	4 - TEST GIVEN, RESULTS KNOWN
5 - NO APPARENT INJURY	5 - SECOND - MIDDLE	5 - NOT APPLICABLE	5 - M/C MOPED ONLY	5 - EXCEPT CLASS A & CLASS B BUS	5 - OTHER ACTIVITY WITH AN ELECTRONIC DEVICE	5 - TEST GIVEN, RESULTS UNKNOWN
	6 - SECOND - RIGHT SIDE	9 - DEPLOYMENT UNKNOWN	6 - NO VALID OL	6 - EXCEPT TRACTOR-TRAILER	6 - PASSENGER	
	7 - THIRD - LEFT SIDE (MOTORCYCLE SIDE CAR)			7 - EXCEPT TRACTOR-TRAILER	7 - OTHER DISTRACTION INSIDE THE VEHICLE	
	8 - THIRD - MIDDLE	EJECTION	OL ENDORSEMENT	8 - INTERMEDIATE LICENSE RESTRICTIONS	8 - OTHER DISTRACTION OUTSIDE THE VEHICLE	ALCOHOL TEST TYPE
	9 - THIRD - RIGHT SIDE	1 - NOT EJECTED	H - HAZMAT	9 - LEARNER'S PERMIT RESTRICTIONS	9 - OTHER / UNKNOWN	1 - NONE
	10 - SLEEPER SECTION OF TRUCK CAB	2 - PARTIALLY EJECTED	M - MOTORCYCLE	10 - LIMITED TO DAYLIGHT ONLY		2 - BLOOD
	11 - PASSENGER IN OTHER ENCLOSED CARGO AREA (NON-TRAILING UNIT, BUS, PICK-UP WITH CAP)	3 - TOTALLY EJECTED	P - PASSENGER	11 - LIMITED TO EMPLOYMENT		3 - URINE
	12 - PASSENGER IN UNENCLOSED CARGO AREA	4 - NOT APPLICABLE	N - TANKER	12 - LIMITED - OTHER		4 - BREATH
	13 - TRAILING UNIT	TRAPPED	Q - MOTOR SCOOTER	13 - MECHANICAL DEVICES (SPECIAL BRAKES, HAND CONTROLS, OR OTHER ADAPTIVE DEVICES)		5 - OTHER
	14 - RIDING ON VEHICLE EXTERIOR (NON-TRAILING UNIT)	1 - NOT TRAPPED	R - THREE-WHEEL MOTORCYCLE	14 - MILITARY VEHICLES ONLY	CONDITION	DRUG TEST TYPE
	15 - NON-MOTORIST	2 - EXTRICATED BY MECHANICAL MEANS	S - SCHOOL BUS	15 - MOTOR VEHICLES WITHOUT AIR BRAKES	1 - APPARENTLY NORMAL	1 - NONE
	99 - OTHER / UNKNOWN	3 - FREED BY NON-MECHANICAL MEANS	T - DOUBLE & TRIPLE TRAILERS	16 - OUTSIDE MIRROR	2 - PHYSICAL IMPAIRMENT	2 - BLOOD
			X - TANKER / HAZMAT	17 - PROSTHETIC AID	3 - EMOTIONAL (E.G., DEPRESSED, ANGRY, DISTURBED)	3 - URINE
				18 - OTHER	4 - ILLNESS	4 - OTHER
					5 - FELL ASLEEP, FAINTED, FATIGUED, ETC.	
					6 - UNDER THE INFLUENCE OF MEDICATIONS / DRUGS / ALCOHOL	
					9 - OTHER / UNKNOWN	
						DRUG TEST RESULT(S)
						1 - AMPHETAMINES
						2 - BARBITURATES
						3 - BENZODIAZEPINES
						4 - CANNABINOIDS
						5 - COCAINE
						6 - OPIATES / OPIOIDS
						7 - OTHER
						8 - NEGATIVE RESULTS



OCCUPANT / WITNESS ADDENDUM

LOCAL REPORT NUMBER
22-45059

OCCUPANT	UNIT #	NAME: LAST, FIRST, MIDDLE			DATE OF BIRTH		AGE	GENDER		
	ADDRESS: STREET, CITY, STATE, ZIP				CONTACT PHONE - INCLUDE AREA CODE					
	INJURIES	INJURED TAKEN BY	EMS AGENCY (NAME)	INJURED TAKEN TO: MEDICAL FACILITY (NAME, CITY)	SAFETY EQUIPMENT	<input type="checkbox"/> DOT-COMPLIANT MC HELMET	SEATING POSITION	AIR BAG USAGE	EJECTION	TRAPPED
OCCUPANT	UNIT #	NAME: LAST, FIRST, MIDDLE			DATE OF BIRTH		AGE	GENDER		
	ADDRESS: STREET, CITY, STATE, ZIP				CONTACT PHONE - INCLUDE AREA CODE					
	INJURIES	INJURED TAKEN BY	EMS AGENCY (NAME)	INJURED TAKEN TO: MEDICAL FACILITY (NAME, CITY)	SAFETY EQUIPMENT	<input type="checkbox"/> DOT-COMPLIANT MC HELMET	SEATING POSITION	AIR BAG USAGE	EJECTION	TRAPPED
OCCUPANT	UNIT #	NAME: LAST, FIRST, MIDDLE			DATE OF BIRTH		AGE	GENDER		
	ADDRESS: STREET, CITY, STATE, ZIP				CONTACT PHONE - INCLUDE AREA CODE					
	INJURIES	INJURED TAKEN BY	EMS AGENCY (NAME)	INJURED TAKEN TO: MEDICAL FACILITY (NAME, CITY)	SAFETY EQUIPMENT	<input type="checkbox"/> DOT-COMPLIANT MC HELMET	SEATING POSITION	AIR BAG USAGE	EJECTION	TRAPPED
OCCUPANT	UNIT #	NAME: LAST, FIRST, MIDDLE			DATE OF BIRTH		AGE	GENDER		
	ADDRESS: STREET, CITY, STATE, ZIP				CONTACT PHONE - INCLUDE AREA CODE					
	INJURIES	INJURED TAKEN BY	EMS AGENCY (NAME)	INJURED TAKEN TO: MEDICAL FACILITY (NAME, CITY)	SAFETY EQUIPMENT	<input type="checkbox"/> DOT-COMPLIANT MC HELMET	SEATING POSITION	AIR BAG USAGE	EJECTION	TRAPPED

INJURIES	SAFETY EQUIPMENT USED	SEATING POSITION	AIR BAG USAGE
1 - FATAL	1 - NONE USED - VEHICLE OCCUPANT	1 - FRONT - LEFT SIDE (MOTORCYCLE DRIVER)	1 - NOT DEPLOYED
2 - SUSPECTED SERIOUS INJURY	2 - SHOULDER BELT ONLY USED	2 - FRONT - MIDDLE	2 - DEPLOYED FRONT
3 - SUSPECTED MINOR INJURY	3 - LAP BELT ONLY USED	3 - FRONT - RIGHT SIDE	3 - DEPLOYED SIDE
4 - POSSIBLE INJURY	4 - SHOULDER & LAP BELT USED	4 - SECOND - LEFT SIDE (MOTORCYCLE PASSENGER)	4 - DEPLOYED BOTH FRONT/SIDE
5 - NO APPARENT INJURY	5 - CHILD RESTRAINT SYSTEM - FORWARD FACING	5 - SECOND - MIDDLE	5 - NOT APPLICABLE
INJURED TAKEN BY		6 - SECOND - RIGHT SIDE	9 - DEPLOYMENT UNKNOWN
1 - NOT TRANSPORTED / TREATED AT SCENE	6 - CHILD RESTRAINT SYSTEM - REAR FACING	7 - THIRD - LEFT SIDE (MOTORCYCLE SIDE CAR)	EJECTION
2 - EMS	7 - BOOSTER SEAT	8 - THIRD - MIDDLE	1 - NOT EJECTED
3 - POLICE	8 - HELMET USED	9 - THIRD - RIGHT SIDE	2 - PARTIALLY EJECTED
9 - OTHER / UNKNOWN	9 - PROTECTIVE PADS USED (ELBOWS, KNEES, ETC)	10 - SLEEPER SECTION OF TRUCK CAB	3 - TOTALLY EJECTED
GENDER		11 - PASSENGER IN OTHER ENCLOSED CARGO AREA (NON-TRAILING UNIT SUCH AS A BUS, PICK-UP WITH CAP)	4 - NOT APPLICABLE
F - FEMALE	10 - REFLECTIVE CLOTHING	12 - PASSENGER IN UNENCLOSED CARGO AREA	TRAPPED
M - MALE	11 - LIGHTING - PEDESTRIAN / BICYCLE ONLY	13 - TRAILING UNIT	1 - NOT TRAPPED
U - OTHER / UNKNOWN	99 - OTHER / UNKNOWN	14 - RIDING ON VEHICLE EXTERIOR (NON-TRAILING UNIT)	2 - EXTRICATED BY MECHANICAL MEANS
		15 - NON-MOTORIST	3 - FREED BY NON-MECHANICAL MEANS
		99 - OTHER / UNKNOWN	

WITNESS	NAME: LAST, FIRST, MIDDLE	DATE OF BIRTH		AGE	GENDER
	ADDRESS: STREET, CITY, STATE, ZIP	CONTACT PHONE - INCLUDE AREA CODE			
WITNESS	NAME: LAST, FIRST, MIDDLE	DATE OF BIRTH		AGE	GENDER
	ADDRESS: STREET, CITY, STATE, ZIP	CONTACT PHONE - INCLUDE AREA CODE			
WITNESS	NAME: LAST, FIRST, MIDDLE	DATE OF BIRTH		AGE	GENDER
	ADDRESS: STREET, CITY, STATE, ZIP	CONTACT PHONE - INCLUDE AREA CODE			