



MONTVILLE POLICE DEPARTMENT

Matthew A. Neil, Chief of Police

Private Property Accident Report

Date: 04/19/2023 Time: 17:58 Report#: 23-21669

Location: 2736 Medina Rd. (IFO Accelerated Fitness)

Number of Units Involved: 2

Unit #1

Driver Name: Alex Clossin (alias for Oleg Obolensky)		Address: 7671 Lake Rd., Medina, Ohio 44256				Phone [REDACTED]
DOB 11/19/1990	OLN [REDACTED]	Insurance State Farm - 2425007-SFP-35				
Owner Name (If not Driver) Same		Address				Phone
Vehicle Make Ford	Model Edge	Year 2013	License JVD5096	Color Black	2D / 4D / SW / TK / ETC. SW	
Damage: <input checked="" type="checkbox"/> None <input type="checkbox"/> Minor Damage <input type="checkbox"/> Functional Damage <input type="checkbox"/> Disabling Damage					Injury: <input type="checkbox"/> Yes <input checked="" type="checkbox"/> No	

Unit #2

Driver Name: Kyle C. Bell		Address: 5005 Park Dr., Apt W3				Phone [REDACTED]
DOB 04/01/1996	OLN [REDACTED]	Insurance Progressive - 943845836				
Owner Name (If not Driver) Same		Address				Phone
Vehicle Make Chevrolet	Model Colorado	Year 2018	License JDK9210	Color Black	2D / 4D / SW / TK / ETC. TK	
Damage: <input type="checkbox"/> None <input checked="" type="checkbox"/> Minor Damage <input type="checkbox"/> Functional Damage <input type="checkbox"/> Disabling Damage					Injury: <input type="checkbox"/> Yes <input checked="" type="checkbox"/> No	

Officer: Hazek, #1607 Date: 04/19/2023

Approved By: [Signature]

DATE 04/19/2023	CASE NUMBER 23-21669	PREPARED BY Hazek, #1607
LOCATION 2736 Medina Rd. (IFO Accelerated Fitness)		
LATITUDE 41.13572	LONGITUDE -81.78642	

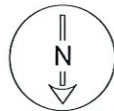
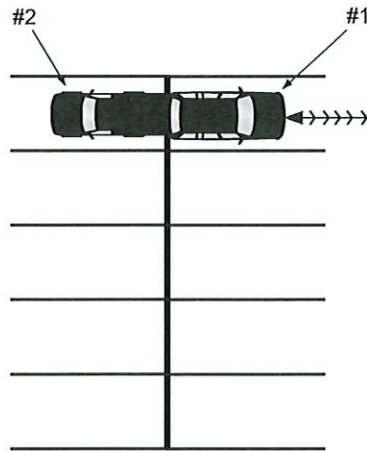
23-21669

Unit #2 was parked in a space and unoccupied. Unit #1 backed into the parking space directly behind Unit #2. While in the process of backing in, the driver of Unit #1 struck the rear bumper of Unit #2 with his hitch receiver, causing a dent and paint damage to the steel bumper of Unit #2.



Accelerated Fitness

← Entrance/exit to Windfall Rd.



Not To Scale